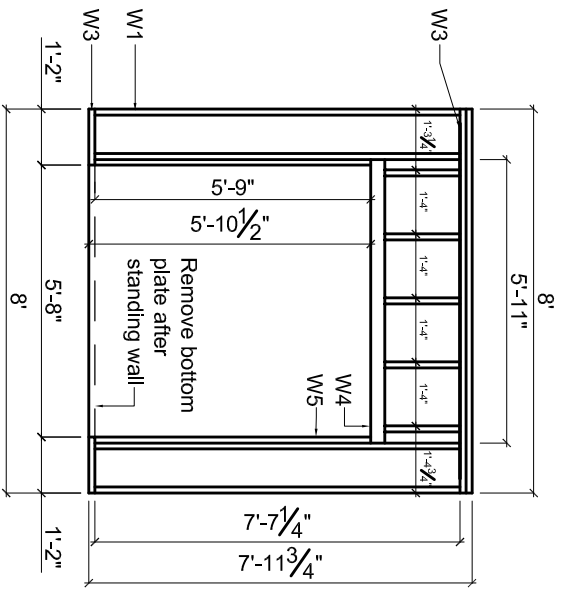


ALTERNATE END WALL FRAMING PLAN



ALTERNATE TALL WALL FRAMING PLAN

WALL FRAMING MATERIALS

CODE	DESCRIPTION	LENGTH	QTY.
W1	2x4 Wall Stud	8'-0"	21
W2	2x4 Wall Plate, short	10'-0"	3
W3	2x4 Wall Plate, long	8'-0"	6
W4	2X4 Header	8'-0"	2
W5	2X4 Trimmer	8'-0"	2
W7	See elevations sheet 3		